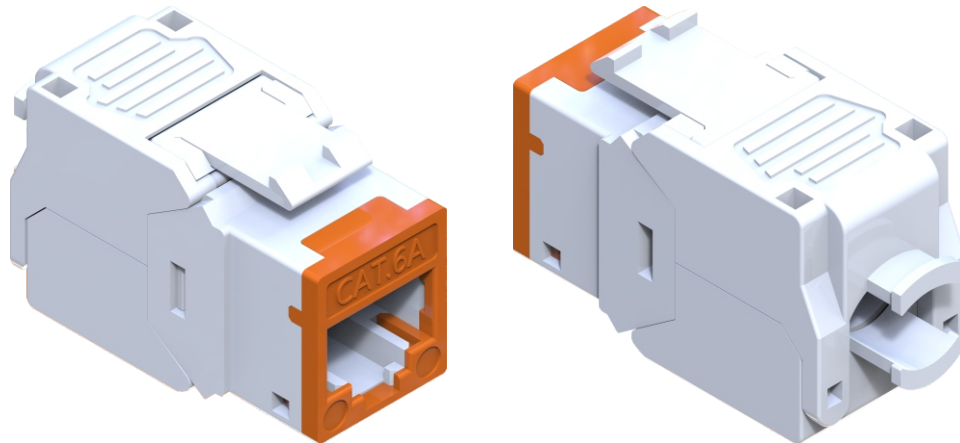
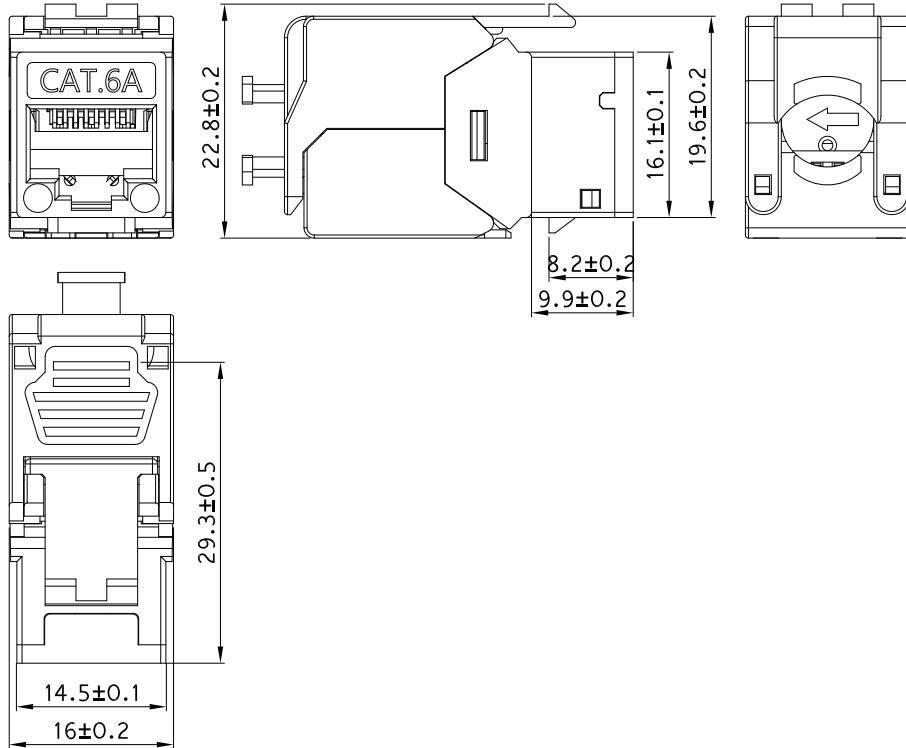


## Presentation



## Electrical

Current Rating:	1.5 Amps
Insulation Resistance:	$\geq 500 \text{ M}\Omega$
Contact Resistance:	$\leq 20 \text{ m}\Omega$
DC Resistance:	$\leq 0.3 \Omega$
DC/AC Volt Endurance:	DC1000V/AC750V 1min

## Mechanical

Mating cycles :	750 cycles minimum
IDC mating cycles :	20 cycles minimum
Operating temperature :	-10~60°C
Operating humidity :	10%~90%RH
Storage temperature :	-40°C TO 68°C

## Physicals

Plastic Parts: High quality engineering plastic  
PCB: FR-4, 1.2mm Thickness  
Jack Wire: 0.35 mm Phosphor bronze gold over nickel plating  
IDC conductor: 0.5mm Phosphor bronze, tin-plating  
Contact compatibility :accommodate 23 to 26 AWG solid  
TIA Cat.6A Perm.Link Test: Worst Pair NEXT Headroom  $\geq 3.0\text{dB}$

## Standards Verification

ANSI/TIA-568.2-D-2018;  
ISO/IEC 11801-1-2017;  
YDT926.3-2024  
ISO/IEC 60603-7-41  
RoHS Directive 2011/65/EU。



Shenzhen Copperled Technology Co., Ltd

Item No. : CL-KJ-C6A24

UTP Cat.6A Keystone Jack 180 Degree with Color-coded Front Frame